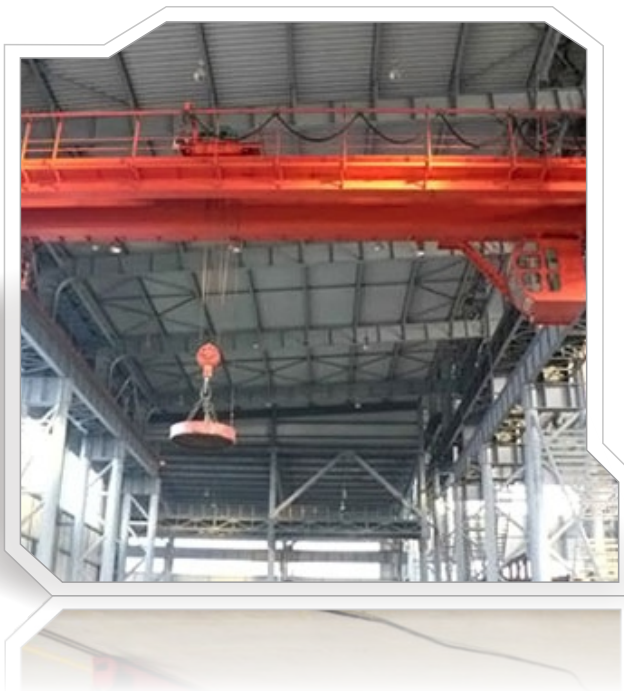




# YUANTAI CRANE

## QC Electromagnetic Overhead Crane Specifications



- Compact structure, new style, beautiful outlooking
- Good in usability with long service life
- Bearing high capacity, high working class
- Flexible operating, safe and reliable

## ■ Part 1 Introduction

### ◆ Basic Parameters

Type:	QC
Lifting capacity:	5-32t
Span:	10.5-31.5m
Working class:	A6
Temperature:	-25~+40℃

### ◆ Overview

The crane equipped with accessible electromagnetic plate, the lifting capacity includes plate's weight;

It is applied in metallurgy factory or outdoor place, where have fixed span and heavy work, to load and transport electromagnetic black metal materials(as steel ingot, merchant steel, pig iron );

Some stores also use it to handling materials, pieces of iron and scrap iron, scrap steel and so on;

The crane is consisted with box-shape bridge frame, crane travelling mechanism, trolley, electric equipments and electromagnetic plate;

The operation is cabin operating, and have rain-proof equipment when in outside.

### ◆ Features

#### (1) In General

Compact structure, new style, beautiful outlooking.

Good in usability with long service life.

Bearing high capacity, high working class.

Flexible operating, safe and reliable.

Widely used and competitive on quality and price.

#### (2) Main Body

Double girder, welding box beam, camber meet national standard;

Adopt high quality carbon steel, Q235B or Q345B; (similar as Fe37 or Fe 52);

Mainwelding submerged are welded automatically, nondestructive flaw detection;

The trolley consisted with motor, reducer, brake, coupling, the wheel, drum;

No asbestos brake pad or brake block, insert the card installed, safe and reliable;

The speed reducer has hard-toothed surface, compact structure, durable;

End girder is matched with rail buffer and rail clearance device;

Crane protection grade is IP54 or IP44;

F grade insulation, brake effectively and long service life.

#### (3) Electric System

Electric box layout is reasonable, easy to repair;

Security trolley line or angle steel trolley line;

External cable is equipped with mark line number;

Trolley moving' power is supplied by flat cable;

And the conductor is I steel or C shape sliding line;

Safe touch line conductive rate is high, low pressure;

Set electric taxi speed is high;

Lifting and crane can be independently controlled and also can run separately or together;

Sliding smooth, and beautiful outlooking.

(4) Protection Devices

Outdoor crane are equipped with lifting mechanism, electrical control box and rainproof devices;

Set the trolley trip spacing device, anti-collision device;

Audible and visual alarm device;

And set platform, cover and protecting barriers.

(5) Operation Device

Ground control and cabin control;

Special cabin for bridge crane or capsule driver room, open vision comfortable operation;

The cable has open style, close style, can fixed on left or right;

The open direction includes end open, side open or top open;

The cabin has special small room and the capsule cabin;

Ground control has handle and remote control; do not need to set up special driver;

Users can choose as you need.

(6) Optional Function

All the mechanism speed regulation is 1:10 or bigger;

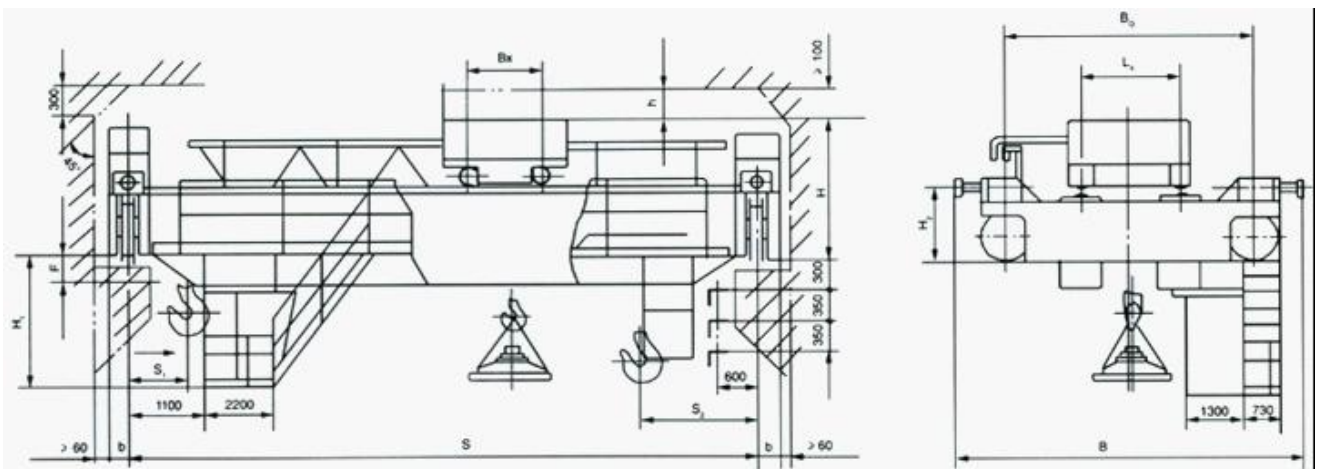
Overload limiter and alarm display, and the load of weighing and display ;

Height limiter device;

The change between main hook and aux hook on single trolley central lubrication;

PLC controlling and accident testing, record display and typing system.

## Part 2 Drawing



## Part 3 Parameters

QC Overhead Crane with Magnet 5t									
Span	S (	10.5	13.5	16.5	19.5	22.5	25.5	28.5	31.5

Lifting height	m	16	16	16	16	16	16	16	16
Lifting speed	m/min	19.9	19.9	19.9	19.9	19.9	19.9	19.9	19.9
Trolley speed	m/min	39.5	39.5	39.5	39.5	39.5	39.5	39.5	39.5
Crane speed	m/min	115.6	115.6	115.6	115.6	115.6	116.8	116.8	116.8
Lifting motor	kw	22	22	22	22	22	22	22	22
Trolley motor	kw	1.5	1.5	1.5	1.5	1.5	1.5	1.5	1.5

Total weight	kg	13360	14980	16920	19750	22280	26650	29970	32970
Max Wheel Load	KN	75	80	87	94	102	113	122	130
Track		P38	P38	P38	P38	P38	P38	P38	P38

Main dimension	mm	10.5	13.5	16.5	19.5	22.5	25.5	28.5	31.5
Rail top to main top	H1	1766	1766	1766	1766	1766	1766	1766	1766
Rail top to girder bottom	H2	-22	128	228	378	528	678	828	978
Wheel base	W	3400	3400	3550	3550	3550	5000	5000	5000
Crane width	B	5150	5150	5204	5204	5204	6264	6264	6264
Hook left limitation	S1	1250	1250	1250	1250	1250	1250	1250	1250
Hook right limitation	S2	1500	1500	1500	1500	1500	1500	1500	1500
Trolley gauge	K	1400	1400	1400	1400	1400	1400	1400	1400

QC Overhead Crane with Magnet 10t									
Span	S (	10.5	13.5	16.5	19.5	22.5	25.5	28.5	31.5

Lifting height	m	16	16	16	16	16	16	16	16
Lifting speed	m/min	19.4	19.4	19.4	19.4	19.4	19.4	19.4	19.4
Trolley speed	m/min	43.8	43.8	43.8	43.8	43.8	43.8	43.8	43.8
Crane speed	m/min	115.6	115.6	115.6	116.8	116.8	112.5	112.5	112.5
Lifting motor	kw	37	37	37	37	37	37	37	37
Trolley motor	kw	2.2	2.2	2.2	2.2	2.2	2.2	2.2	2.2

Total weight	kg	15140	17130	19990	21800	24500	28900	32500	36000
Max Wheel Load	KN	104	112	121	126	134	146	155	165
Track		P43	P43	P43	P43	P43	P43	P43	P43

Main dimension	mm	10.5	13.5	16.5	19.5	22.5	25.5	28.5	31.5
Rail top to main top	H1	1878	1878	1878	1878	1878	1928	1928	1928
Rail top to girder bottom	H2	-22	128	228	378	528	630	780	930
Wheel base	W	4050	4050	4050	4050	4050	5000	5000	5000
Crane width	B	5704	5704	5704	5934	5934	6504	6504	6504
Hook left limitation	S1	1500	1500	1500	1500	1500	1500	1500	1500
Hook right limitation	S2	1500	1500	1500	1500	1500	1500	1500	1500
Trolley gauge	K	2000	2000	2000	2000	2000	2000	2000	2000

Note: Control mode for cab operation, negativ vaule H2 means girder bottom is on the rail.



## Henan Yuantai Crane Machinery Import&Export Co.,Ltd.

Address:Henghua Business Building 712,Garden Road,Zhengzhou,Henan,China.

Tel: 86-371-65760776

Fax: 86-371-65760775

Web: [www.ytcrane.com](http://www.ytcrane.com)

Email: [yuantai@ytcrane.com](mailto:yuantai@ytcrane.com)



**Tips:**

You can use the phone dimensional code recognition software to scan the right side of the two-dimensional code, to quickly and easily access our web site for more information.